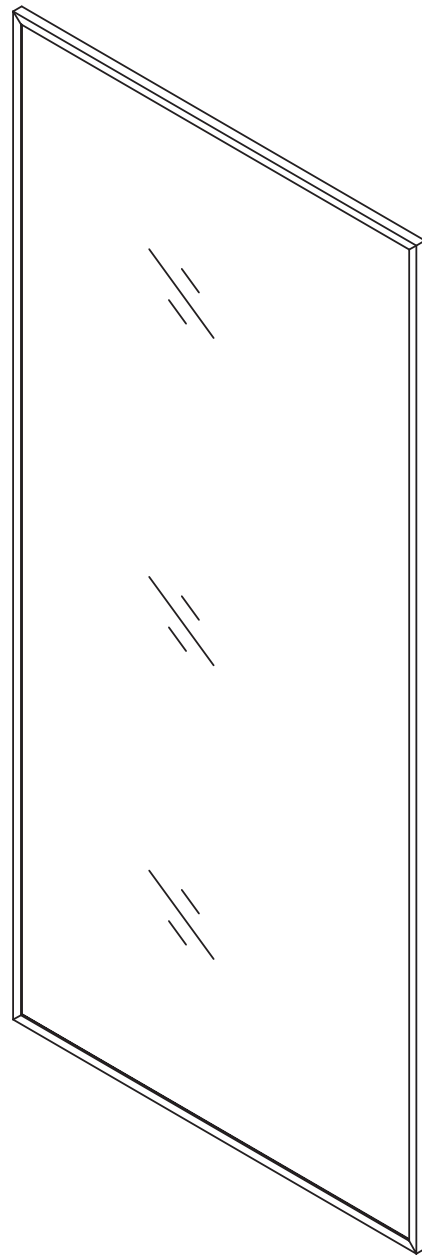


# INSTALLATION MANUAL

## SHOWER PANEL

FIXED FULL FRAME

---



**MODELS:**

SDF2-34

TDF2-34

**MODEL# SDF2 / TDF2**



## READ ALL INSTRUCTIONS BEFORE UNPACKING THE PRODUCT



INSTRUCTIONS THAT, IF IGNORED, COULD RESULT IN DEATH OR SERIOUS INJURY CAUSED BY INCORRECT HANDLING OR INSTALLATION OF THE PRODUCT. THESE INSTRUCTIONS MUST BE OBSERVED FOR SAFE INSTALLATION.

### ATTENTION!



2 PEOPLE ARE REQUIRED TO LIFT AND DURING ENTIRE INSTALLATION OF THIS PRODUCT



INSTALLATION OF THIS PRODUCT BY AN INEXPERIENCED INSTALLER MAY RESULT IN PERSONAL INJURY OR DEATH!



- We reserves the right to change, update, modify, alter, redesign this manual/product or its policies without prior notice!
- It is your responsibility to visit the website to download or contact customer service for the most updated version of the installation instructions.
- We shall not be liable for any injuries or property damages in connection with this product during installation or use of this product!

### NOTES:

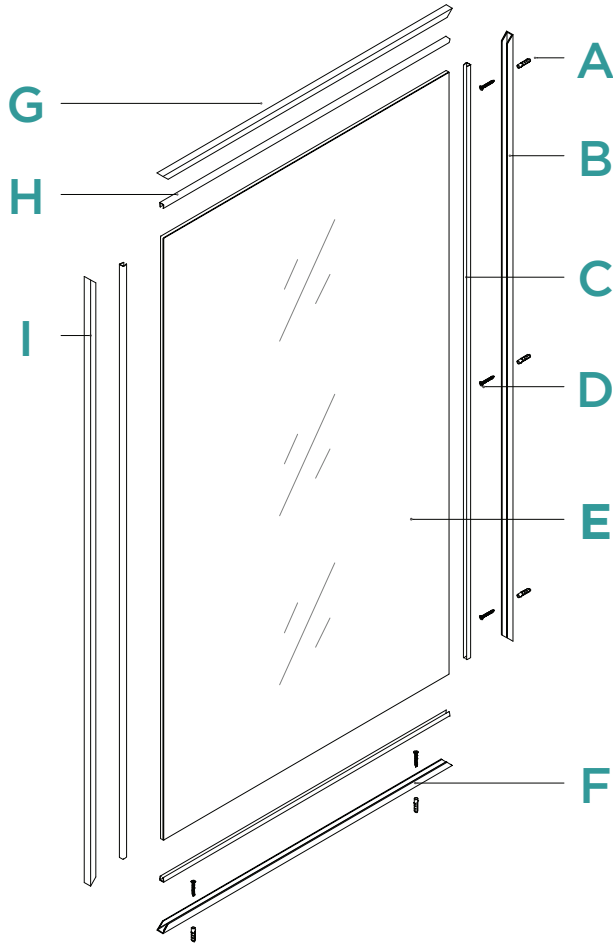
- Limited warranty is void on any commercial installation.
- We are not responsible for local code compliance for this product.
- Building and plumbing codes may vary from state-to-state in accordance to your location.
- We are not responsible for providing any compliance certifications.
- We are not responsible to provide any type of certifications for this product.
- Under no circumstances we shall not be liable for any and all incidental damages sustained in connection with this product Neither manufacture, nor distributor, nor retailer is responsible for water damage or flood caused due to use of this product.
- Under no circumstances We shall not be liable for any and all fees, cost defect. of installation/re-installation/removal, subsequent damage or transportation in case of the product defect.

### ATTENTION:

- Always rest glass on a leveled surface.
- The glass panels are tempered and cannot be cut.
- Fiberglass, acrylic or sheetrock construction might not be sufficiently strong enough to support the shower door enclosure. You should use the wood framing from behind the face edge of the stall to provide a secure mounting to the door. Apply a bead of silicone between the walls and base of the stall.
- For optimum performance, you should install the shower door perfectly level on a level surface.
- By not leveling the unit during construction the unit may leak causing possible water damage.

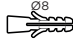
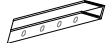
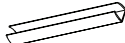

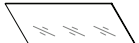






## PARTS

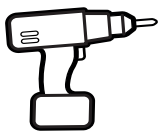


## COMPONENTS AND HARDWARE

During unpacking the product and prior to installation inspect your new product for any damages or missing parts. Do not attempt to install or operate the product if the product is damaged.

Part <b>A</b>		<b>5</b> Pieces	Plastic Anchor
Part <b>B</b>		<b>1</b> Piece	Side Rail
Part <b>C</b>		<b>2</b> Pieces	Seal Strip
Part <b>D</b>		<b>5</b> Pieces	Screw
Part <b>E</b>		<b>1</b> Piece	Glass Panel
Part <b>F</b>		<b>1</b> Piece	Bottom Rail
Part <b>G</b>		<b>1</b> Piece	Top Rail
Part <b>H</b>		<b>2</b> Pieces	Seal Strip
Part <b>I</b>		<b>1</b> Piece	Side Rail

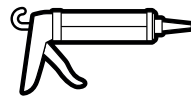
## REQUIRED TOOLS



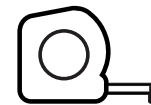
DRILL



LEVEL



SILICON GUN



MEASURE TAPE



FLAT SCREWDRIVER



Ø6 DRILL BIT



PENCIL



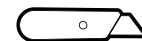
PHILLIPS SCREWDRIVER



Ø8 DRILL BIT



ALLEN KEY



UTILITY KNIFE

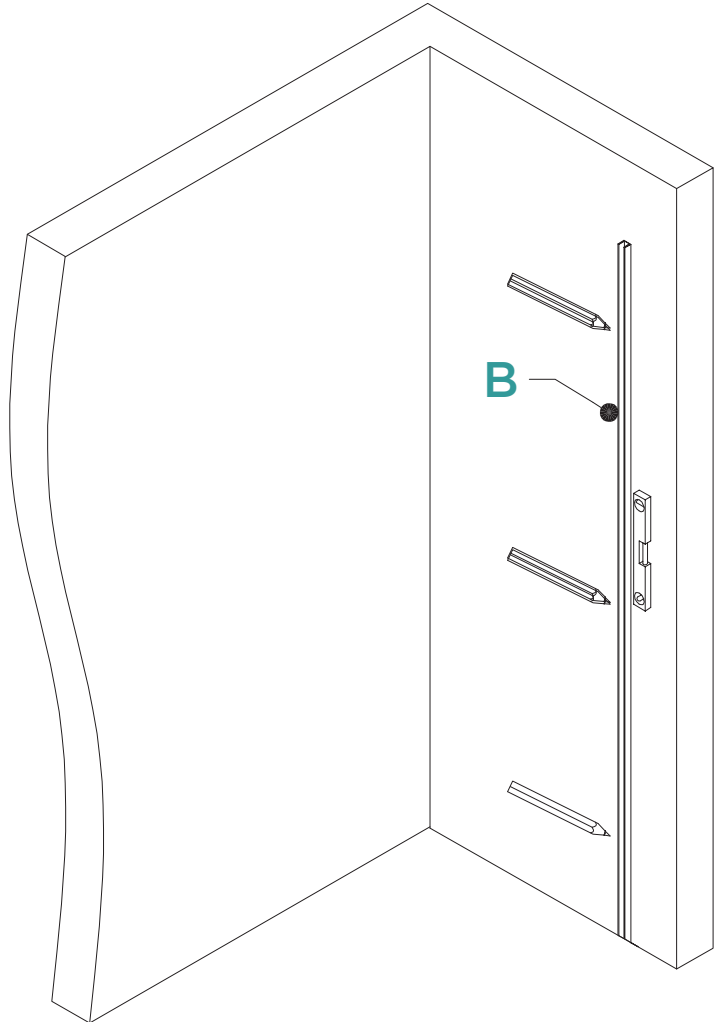


1

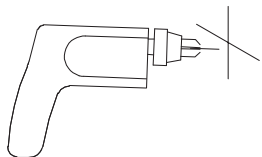
## ATTACHING THE RAIL VERTICALLY

Mount the rail (B) on the wall vertically, and using a pencil, mark the spots for screws. Keeping rail vertical with a level.

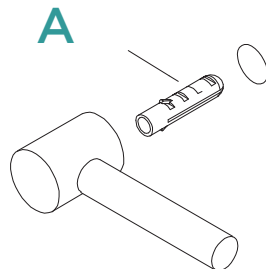
- 1.1**  
Remove the rail and drill a hole at the marked points with size 6 drill bit.
- 1.2**  
Insert wall anchors (A) into the holes with the help of a hammer.
- 1.3**  
Attach the rail (B) to the wall, using a screw (D). Tighten with the Allen key.



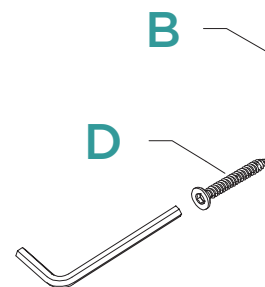
1.1



1.2



1.3





## 2

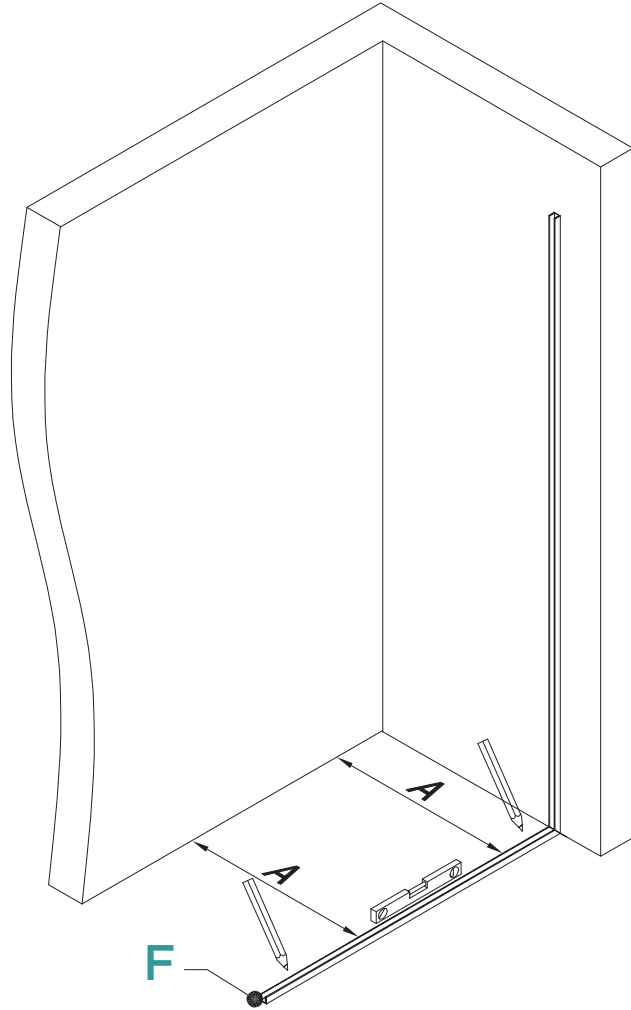
### ATTACHING THE RAIL HORIZONTALLY

Use a measuring tape to mark two points on the floor that are of equal distance from the wall. (Make sure floor is level)

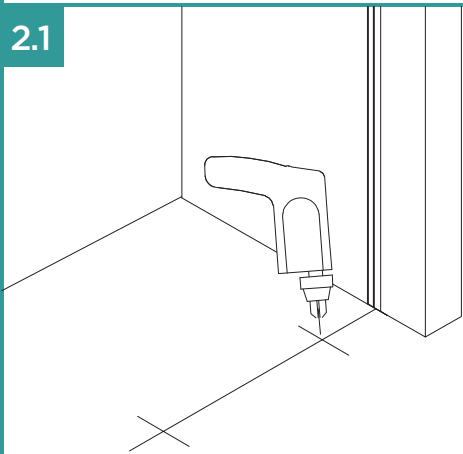
**2.1**  
Use a size 6 drill bit to drill holes at the marked points on the floor.

**2.2**  
Insert the wall anchors (A) into the floor, using a hammer.

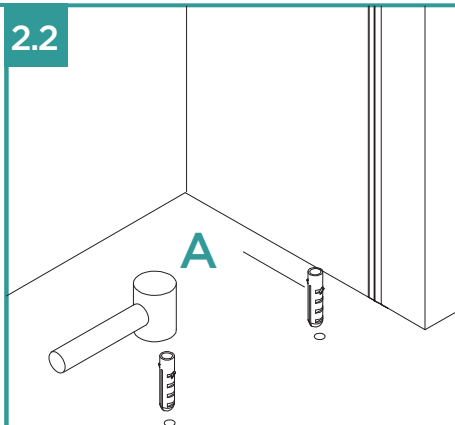
**2.3**  
Place the rail (F) on the floor, lining up the holes. Attach the rail to the floor, using screws (D) and the Allen key.



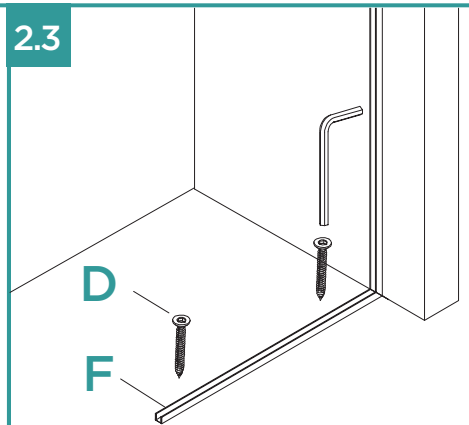
2.1



2.2



2.3

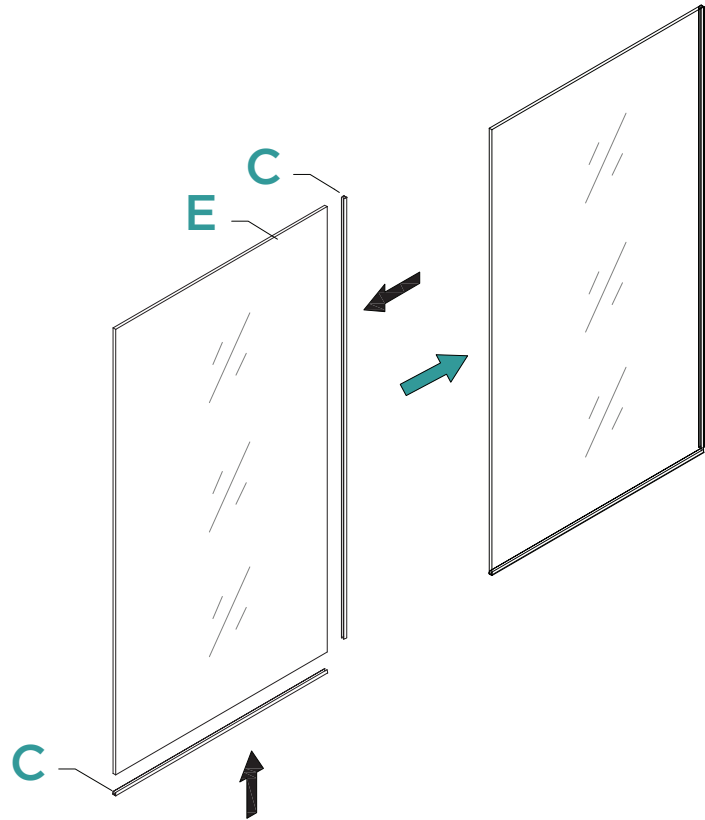




3

### ATTACHING PLASTIC SEALS STRIPS TO GLASS SIDES

Attach the plastic seals (C) to a vertical and horizontal side of the glass in an L shape.

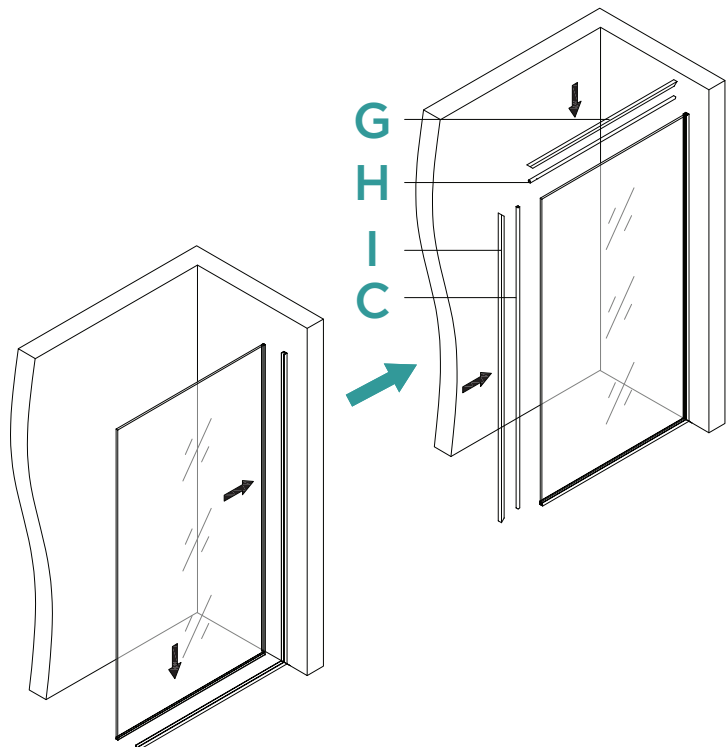


4

### ATTACHING THE GLASS TO THE RAIL

**A**  
Once the seal strips are attached to the glass, affix the glass panel to the rail.

**B**  
Attach the plastic strips (H) to the remaining two sides of the glass, and then secure them with the fixed panel seal (G, I).

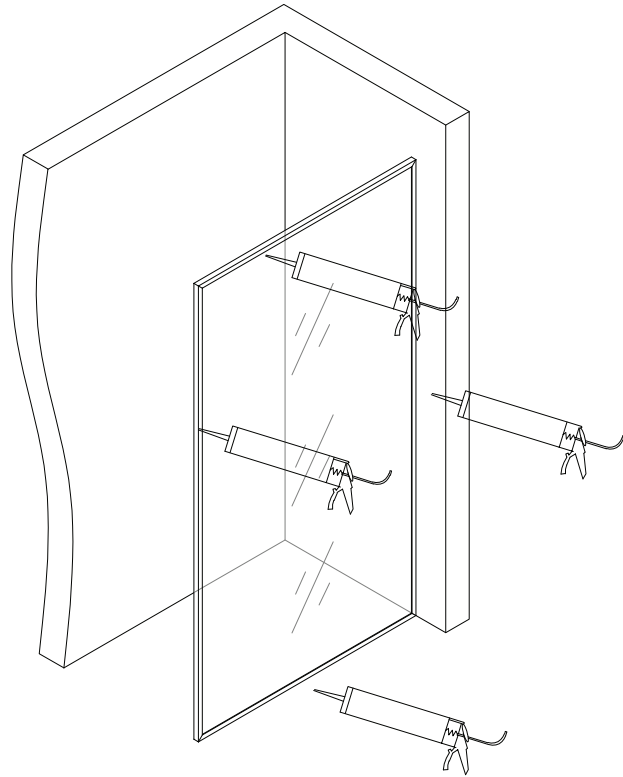




5

## SECURING THE GLASS

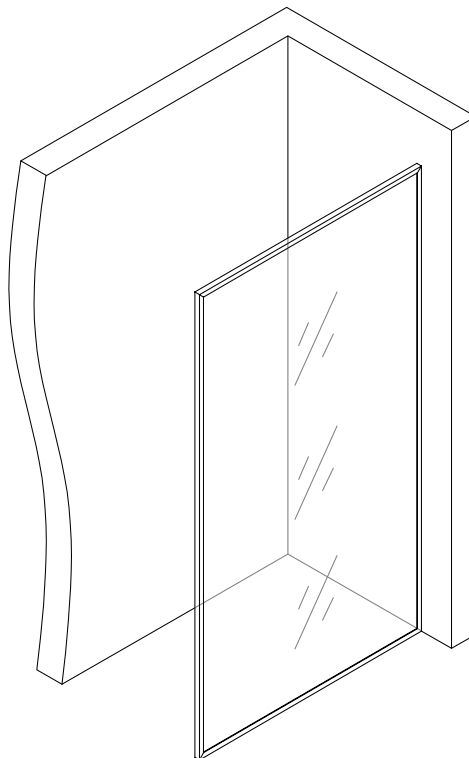
Secure the glass in the rail, using a caulking gun and high-quality clear silicone caulk.



6

## DRYING THE GLASS

Let the glass dry for 24 hours. Do not touch, move, or make wet during these hours.



**AFTER  
INSTALLATION**



**WAIT 24 HRS  
BEFORE USE**



206 WEMBLY ROAD - NEW WINDSOR, NY 12553  
P: 718.602.6060 F: 718.963.2082 - E: INFO@FINEFIXTURES.COM  
TOLL FREE: 1.877.8FIXTURES

[FINEFIXTURES.COM](http://FINEFIXTURES.COM)

